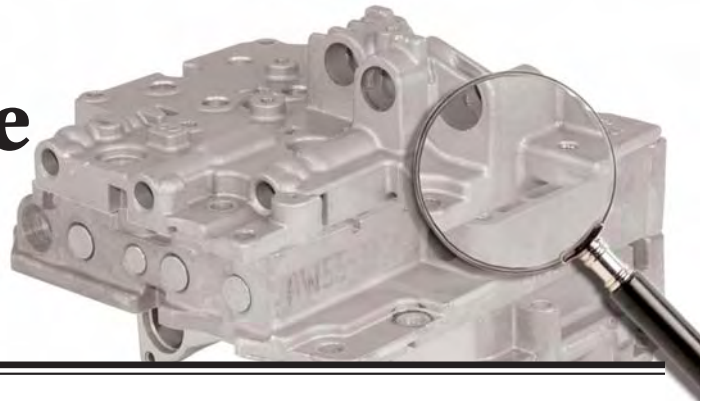


Technical Bulletin

Troubleshooting the AW55-50SN family



Maybe you remember Pete and Repeat, or similar puzzles that appeared in magazines, newspapers or scholastic readers when you were younger. Regardless of the name, the idea was pretty much the same. There were two illustrations side by side that appeared identical at first but on closer examination, you could spot small differences. That was the challenge: Could you find the 10 things that were changed from the first drawing to the second?

A whole new generation of kids could entertain themselves by comparing the configurations of valve bodies found in the AW 55 50/51SN or AF23/33 family of transmissions. The valve bodies found in GM, Volvo, Saturn, Nissan, Saab, Opel or Renault easily pass the first-glance test. Sure, they look the same. They will even bolt up.

Bolting up a substitute would be the only thing that would go easily for you that day. The body itself is a four-part stack, rather compact overall but multi-layered. There are many variations, and upon closer examination it is amazing to discover just how different they are. On the surface, casting numbers, cast codes, plate numbers or the presence or absence of vents are the first signs of differences. Then of course, there are the solenoids. Six different shift solenoids have been used and most of them can be substituted incorrectly. Some solenoids for a given function and location on the casting could have originally been either normally open or normally closed. Three linear solenoids are also found on the valve body, but each is calibrated according to the valve it controls. Even the solenoid mount bracket comes in three configurations.

The point is, if you must start looking to replace a valve body or a component, extreme caution is in order. Carefully match the details and question any apparent discrepancy.

The good news is, as in most modern valve bodies, there are areas where wear is commonly found and relatively easy to identify. The even better news is that we have not only identified some of these areas, but we have already made you the parts you need to address them.

The point is, if you must start looking to replace a valve body or a component, extreme caution is in order. Carefully match the details and question any apparent discrepancy.

In the pages to follow we show you some views of the four different valve body sections, along with the internal components. We suggest examination of known areas of concern. Some examination requires nothing more than visual inspection. There are several valve and sleeve combinations pointed out. Wear here is frequently noticeable in the sleeve bore. Several end plugs are known leakers and should be pulled and inspected. Suspect not only one that is obviously loose but one that shows score or abrasion marks on the plug spool or in the bore. Larger valves may also show wear on the spools but careful inspection of their bore is even more likely to turn up the wear shadowing that tells you leakage is likely occurring.

In addition to visual inspection, many circuits can be Wet Air Tested. Those of you not familiar with this technique can go to our Web site for more information. A vacuum test can also be used in many of the locations pointed out. Vacuum testing is quick and easy and can be one of the most accurate testing methods available to the average shop, if done correctly.

Again here, information is available on our Web site. Visit www.sonnax.com and click on the Technical Information section of the header. Vacuum testing information and a video clip can be accessed directly from that page. For Wet Air Test (WAT) information, chose the Transmission Specialties® Technical Information drop-down and click on the Wet Air Test segment.

In the pictures that follow*, visual inspection of the bores can be made in the areas shown as ovals or circles. Vacuum or Wet Air tests are performed at the arrows.

(*Figure 1, on page 2; Figure 2 on page 3; Figures 3 & 4 on page 6 and Figure 5 on page 7.)

Front Control Valve Body

Solenoid modulator valve circuit testing is critical.

The modulator is very active and commonly worn.

Wear here affects pressure feed to all the linear solenoids and multiple problems can result.

End plug leakage is another known problem.

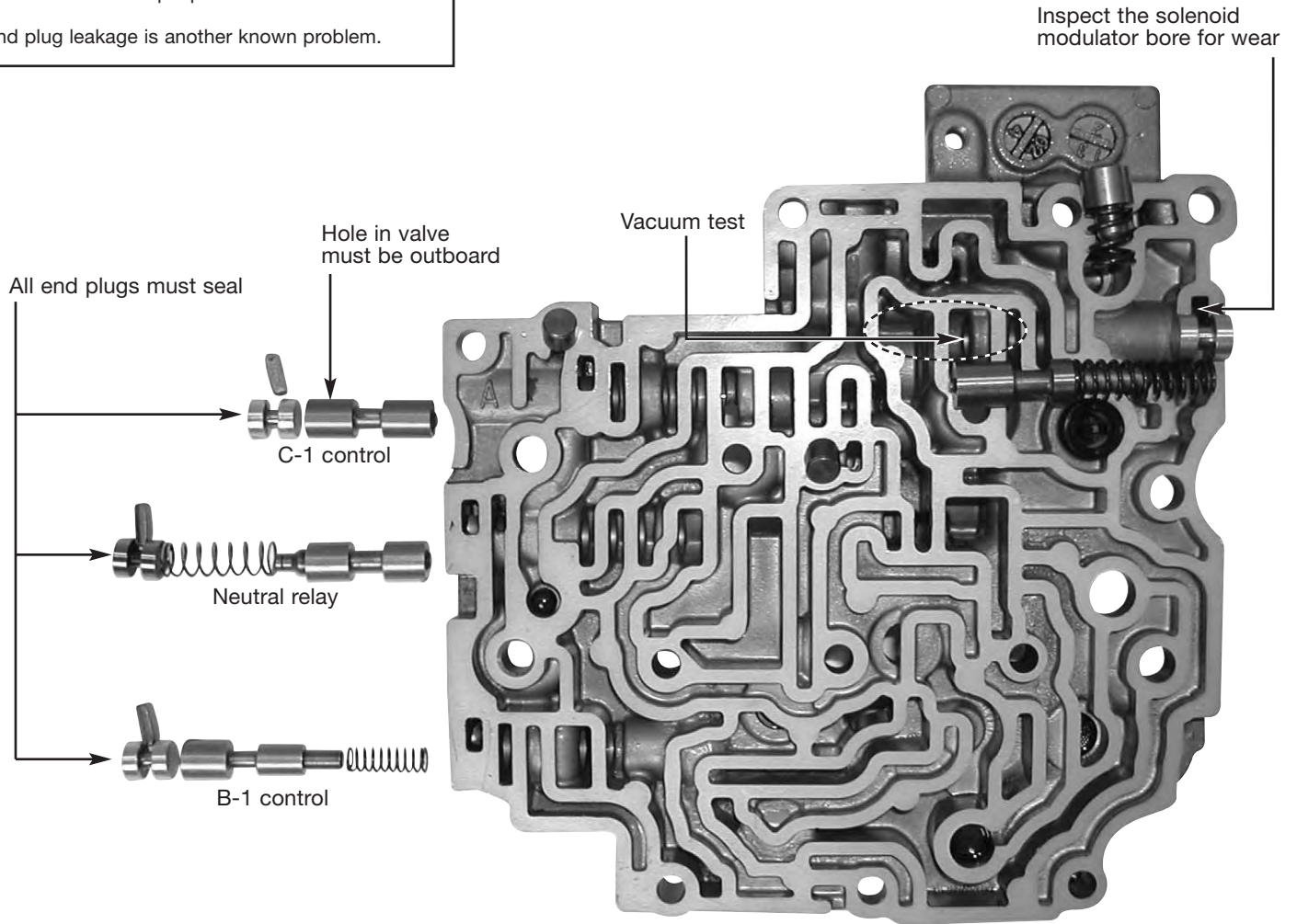


Figure 1

Middle Control Valve Body, Cover Side

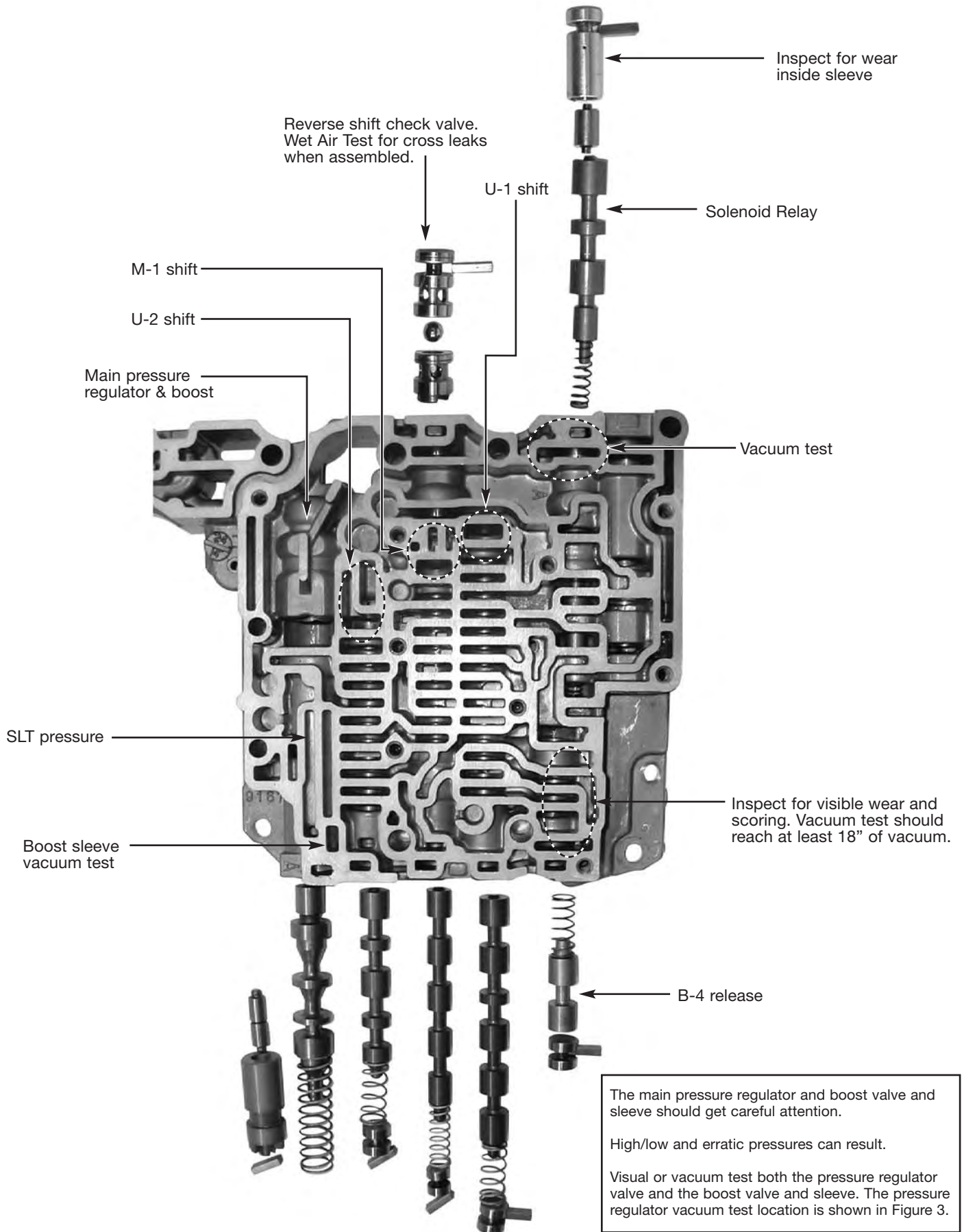


Figure 2

We listen.

Sonnax has six new and innovative solutions for the Aisin Warner family of valve bodies, all designed to help you salvage those expensive cores.

Aisin Warner 55-50SN

valve bodies are found in numerous vehicles manufactured by GM, Nissan, Saab, Saturn and Volvo.

Sonnax now gives you the opportunity to repair these popular units.

59947-12K



Oversized Pressure Regulator Valve & Boost Valve Kit

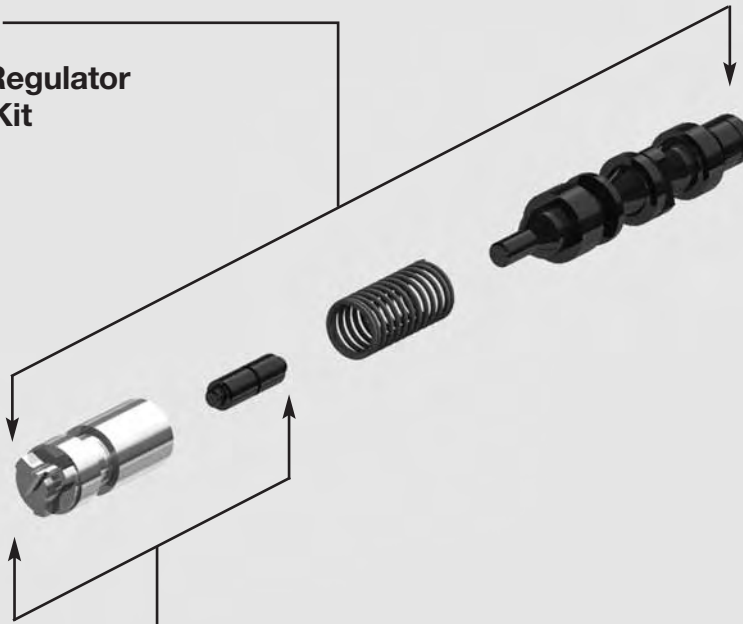
Helps cure:

- Delayed engagements
- Harsh reverse
- TCC slip or engine stall

F-59947-TL12*

Reamer Kit

*VB-FIX required



59947-07K

Main Boost Valve & Sleeve Kit

Not required when using 59947-12K

Helps cure:

- Slip in reverse
- Poor upshift

Front Control Valve Body

Middle Control Valve Body

Rear Control Valve Body



TIME TESTED • INDUSTRY TRUSTED™

Automatic Drive • P.O. Box 440 • Bellows Falls, Vermont 05101-0440 USA
800-843-2600 • 802-463-9722 • F: 802-463-4059 • www.sonnax.com • info@sonnax.com
©2008 Sonnax Industries, Inc.

We deliver.

59947-09K

Solenoid Modulator Valve Capsule Kit

Helps cure:

- TCC slip or RPM surge
- Low SLT pressure
- Delayed engagements

59947-05K

Solenoid Relay Valve & Sleeve Kit

Helps cure:

- No TCC apply
- Loss of solenoid modulator oil pressure

59947-01K

Lockup Relay Control Valve & Sleeve Kit

Helps cure:

- No TCC apply
- TCC cycle or RPM fluctuates

59947-03K

Lockup Control Valve & Sleeve Kit

Helps cure:

- Excess TCC slippage
- Harsh downshifts or converter does not release

2nd Rear
Control
Valve Body



More information on all our
products is available at
www.sonnax.com.

Middle Control Valve Body, Case & Rear Body Side

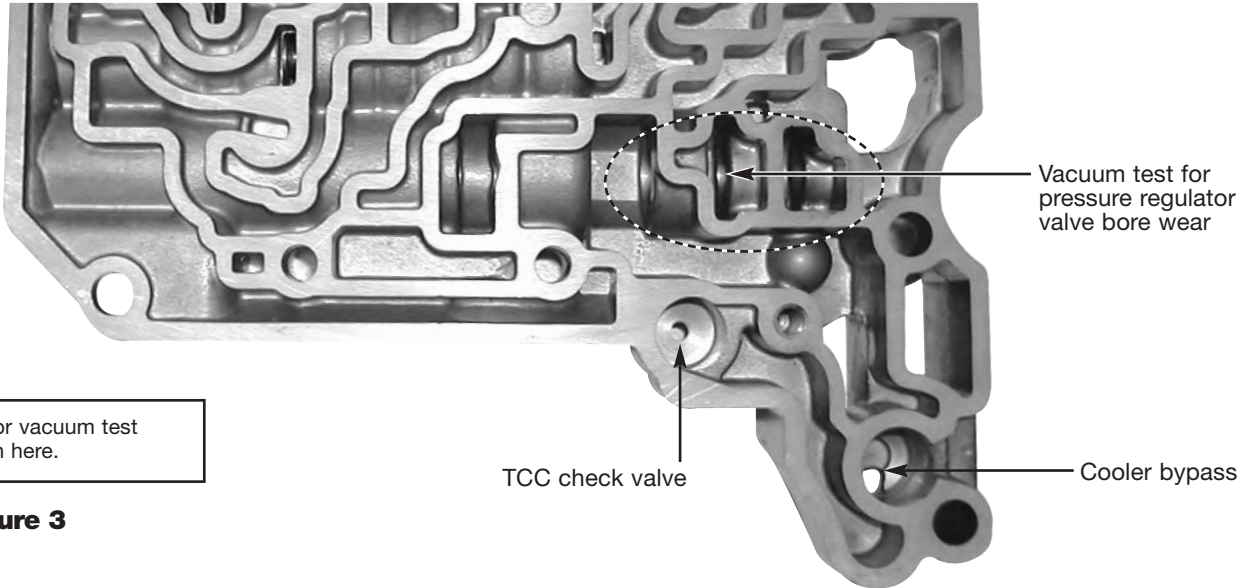


Figure 3

Rear Control Valve Body

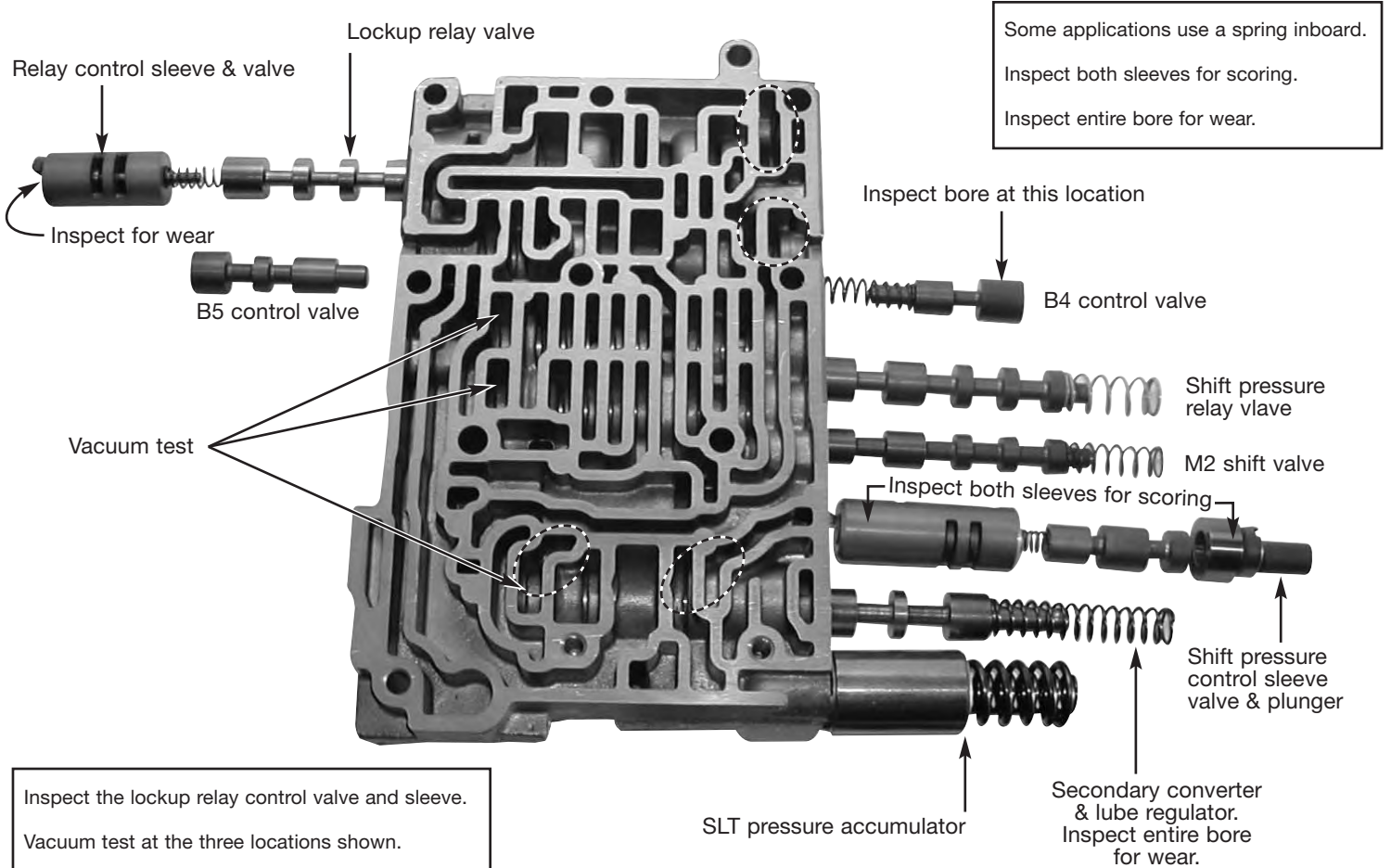


Figure 4

No. 2 Rear Control Valve Body

Visually inspect the lockup control plunger and sleeve.
 Vacuum test or visually inspect other bores as shown.

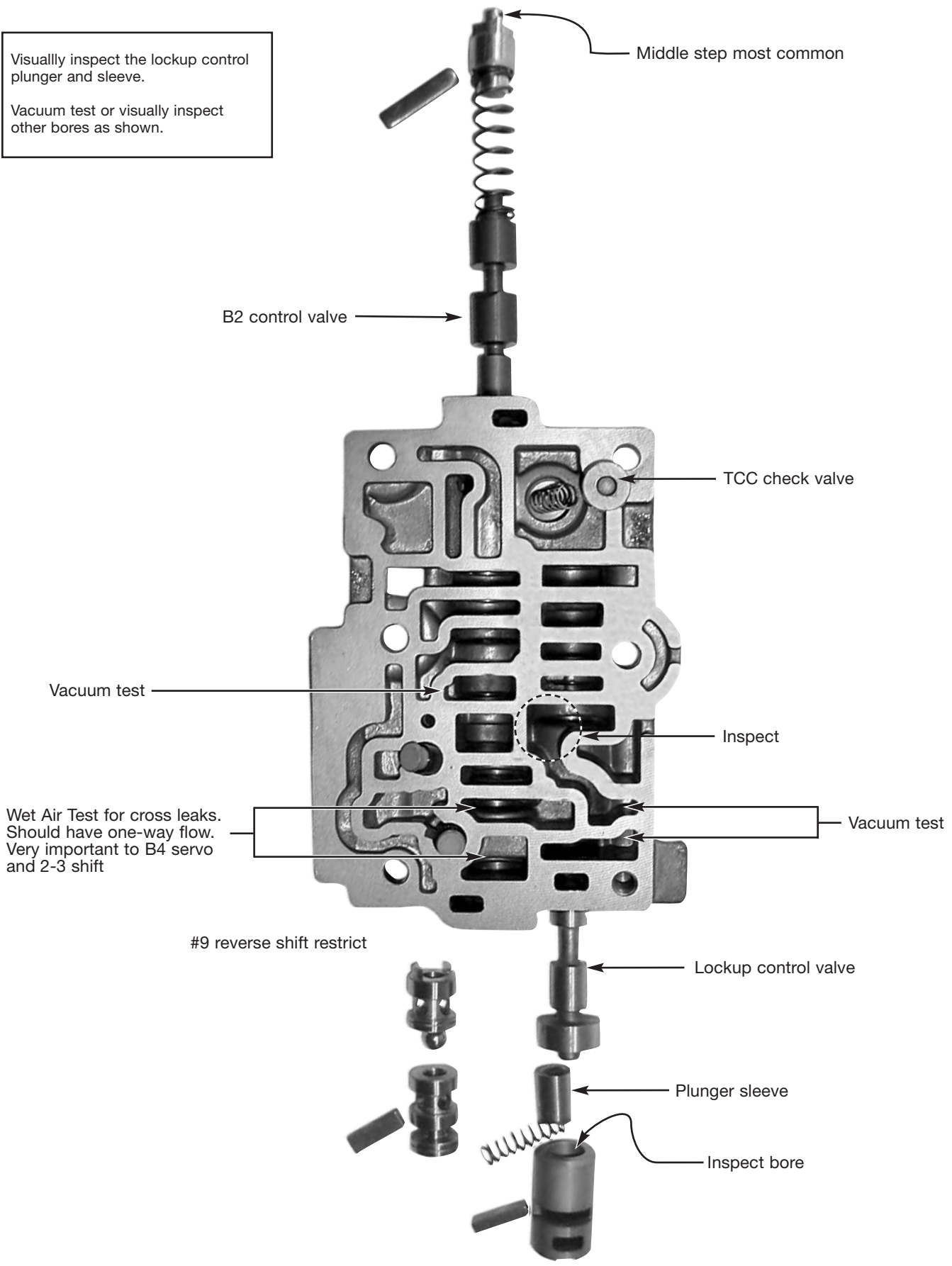


Figure 5



SONNAX•AUTOMATIC DRIVE•P.O.BOX 440•BELLOWS FALLS, VT 05101-0440•USA

PRSR STD
U. S. Postage
Paid
Putney VT
Permit #1



SONNAX® STOCKING DISTRIBUTORS

DISTRIBUTOR	CONTACT #	CITY	STATE	DISTRIBUTOR	CONTACT #	CITY	STATE
A & Reds Transmission Parts*	800-835-1007	Wichita	KS	Natpro*	800-540-5356	Los Angeles	CA
All Star Transmission Parts	800-597-8401	Wyandanch	NY	Oklahoma Transmission Supply*	800-288-3668	Oklahoma City	OK
Auto Stan Trans Parts LTD	800-387-5880	Toronto	ON	Part-Rite, Inc.	732-269-5000	Bayville	NJ
B & I Torque Converter*	800-533-9108	Oklahoma City	OK	PDQ Automatic Trans. Parts, Inc.	800-852-3351	Sacramento	CA
BRH Transmission Parts	888-219-0161	Harvey	LA	Perfect Shift	800-374-3436	Henryville	PA
Capital Core Inc.*	800-223-1884	Dublin	OH	Portland Transmission Warehouse	800-444-4556	Portland	OR
D&E Auto Parts*	800-245-9754	Hazel Park	MI	Poteats Auto Parts	800-633-8443	Kannapolis	NC
Dacco Transmission Parts*	800-443-2226	Cookeville	TN	PRNDL Transmission Parts	888-500-5458	Flint	MI
Dean Transmission Parts	800-666-8726	Agawam	MA	Sea-Tac Parts Warehouse	800-331-2090	Seattle	WA
Fatsco Trans Warehouse	800-524-0485	Pine Brook	NJ	Slauson Trans Parts	800-421-5580	Gardena	CA
Franklin Transmission Parts	888-847-8388	Richmond Hill	NY	Specialty Transmission Parts	561-795-0400	Wellington	FL
Gordon Automotive	800-589-8868	Pontiac	MI	Sun State Transmission Parts	800-486-8713	Ft. Myers	FL
Jerry's Transmission Parts	800-846-1384	Austin	TX	TCS	800-960-1177	Langley	BC
K.C. Trans Parts	800-738-7267	Independence	MO	Trans Parts Plus	877-566-2200	Garden City	MI
King-O-Matic*	800-268-2368	Mississauga	ON	Trans Parts Unlimited	404-366-1455	Ellenwood	GA
Matech BTA*	800-567-0929	Drummondville	QC	Transmission Parts Supply*	800-527-8782	Texarkana	TX
Mid States Transmission Parts	800-325-6772	Davenport	IA	Transtar Industries Inc.*	800-321-8830	Cleveland	OH
Midwest Hardparts Inc.	877-799-4783	Hamlin	IA	TW Products Inc.	623-877-8101	Phoenix	AZ
Mitchell Transmission Supply	904-353-5561	Jacksonville	FL	VTP Transmission Parts	877-604-8726	Brooklyn	NY
MTS (Midwest Trans. Supply)	800-731-4510	Omaha	NE	W.I.T. Transmission Parts*	800-940-0197	Louisville	KY

* Stocking distributors with multiple locations, please call for location nearest you

CONTACT US AT:

800-843-2600 802-463-9722 FAX: 802-463-4059 WWW.SONNAX.COM INFO@SONNAX.COM